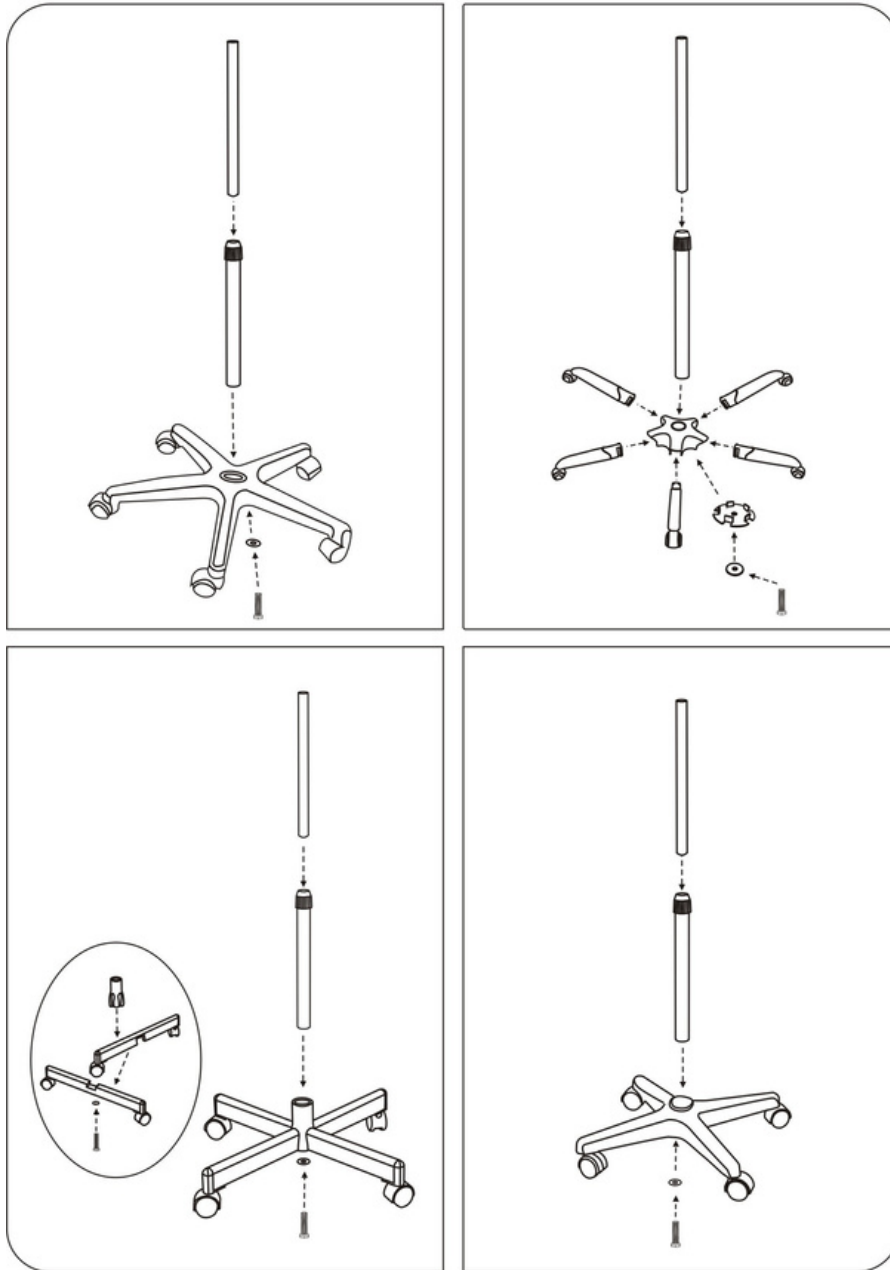


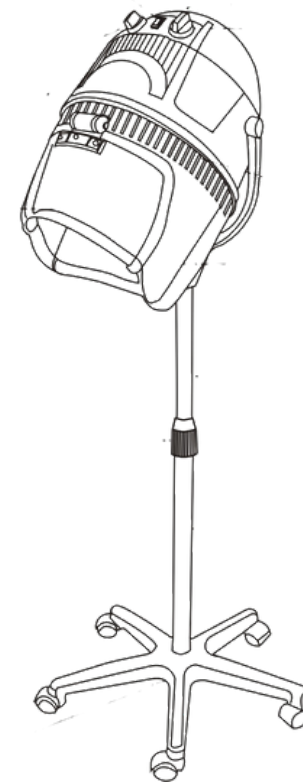
## Assembly Illustration



 Berkeley

**ORIA II HAIR DRYER**

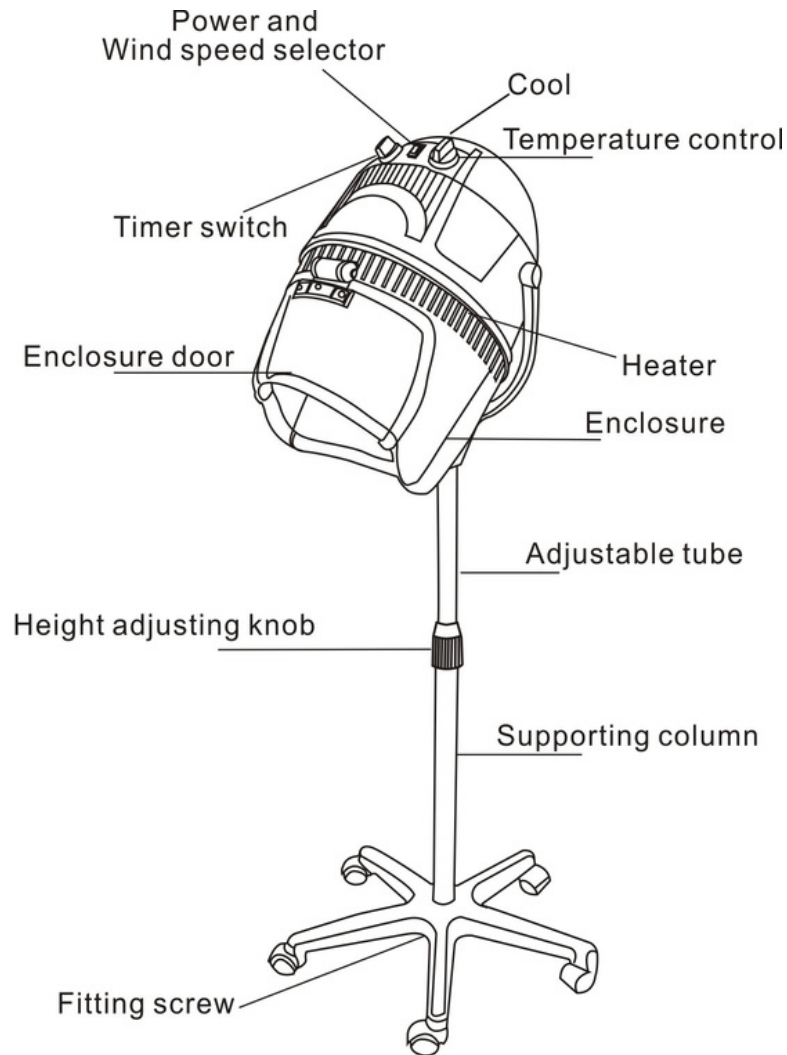
MODEL: ZHI-DRY-104



Thank you very much for purchasing our Hair Dryer.  
Please read our user manual carefully prior to use.

## FEATURES AND FUNCTIONS:

- The hair dryer is reliable, durable and has variable temperature settings.
- It is equipped with a stainless-steel heating element.
- There is hot perm, hair-drying, hair treatment and spot-caring functions.
- Temperature can be adjusted from room temperature to 75°C (167°F).



## INSTALLING STEPS:

- Place the hair dryer on an already assembled stand. Make certain the plastic hood-support is fully attached to the stand's tubes.
- For assembly of the stand, please refer to the stand's instruction.

## OPERATIONS STEPS:

- Plug the main cable to a wall power outlet.
- Turn the temperature control clockwise to your required level, adjust timer to desired length, then switch the machine on by the switch in the middle.
- To heat up more quickly, adjust the temperature control clockwise to its maximum, and then power the machine up. When the temperature rises to the desired level, you may adjust the temperature control down to a suitable heat.

## ATTENTIONS:

- Please be sure the height adjusting knob, which fixes the height of the stand, is tightened before attaching the hair dryer.
- The adjustable tube must be held down when it is fixed and adjusted just in case of springing.
- Do not use the machine if abnormal wiring conditions are present e.g. aging, broken, discolored or enlarged protective rubber, etc. The machine must be inspected and serviced by a qualified technician, or professional person authorized by our factory.
- Turn the temperature knob to "COOL" position for at least one minute before turning off the "POWER" switch (red switch in the middle).
- Children should be monitored to ensure they do not play with the dryer.

## CONTACT US

☎ 972-926-6488

✉ [service@aycllc.com](mailto:service@aycllc.com)

🌐 [www.aycllc.com](http://www.aycllc.com)